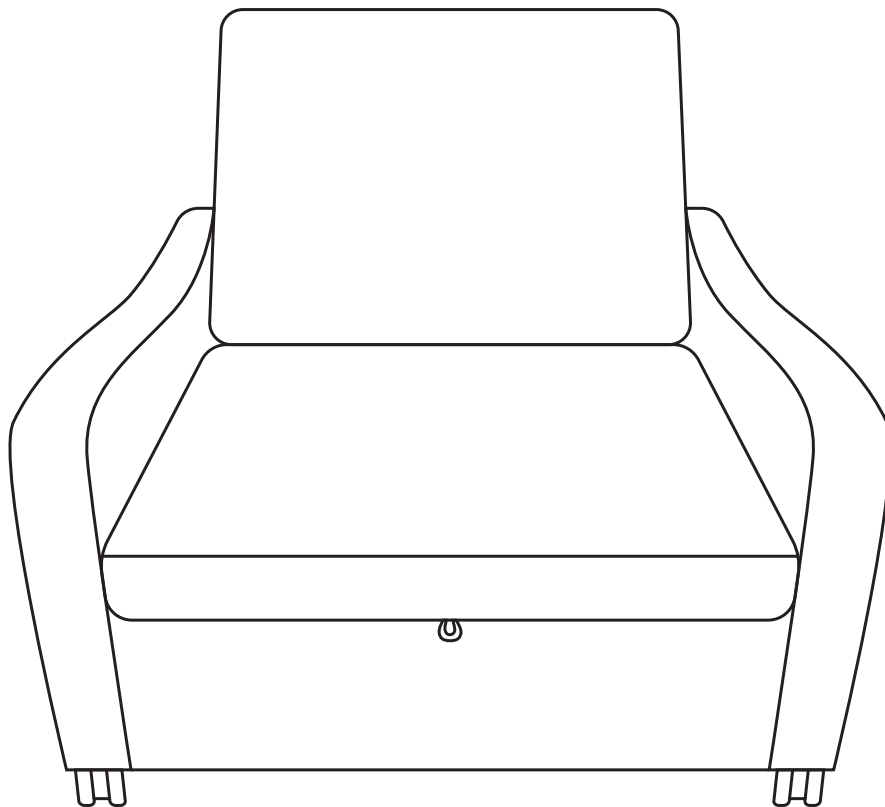




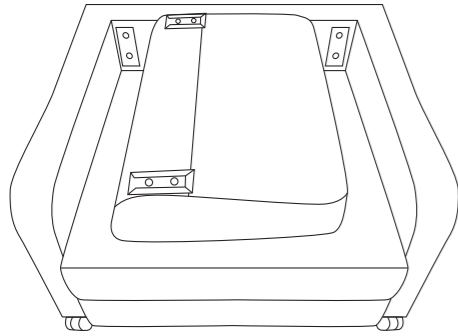
COMFY SLEEPER CHAIR-BED

ASSEMBLY GUIDE

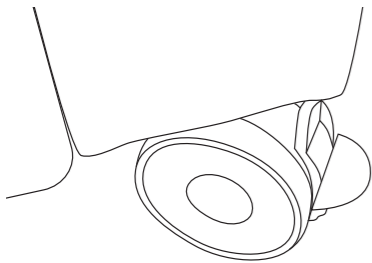


ASSEMBLY INSTRUCTIONS

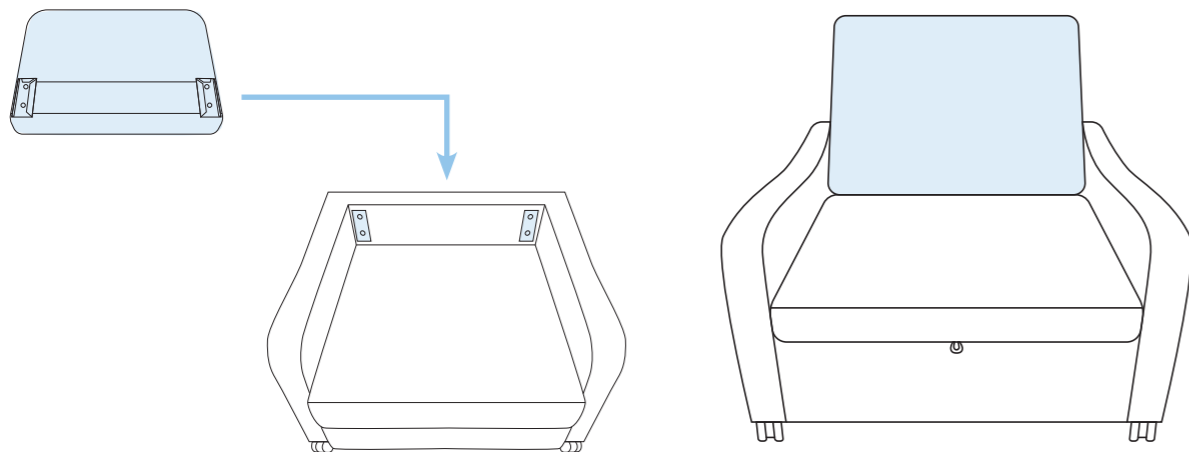
1. Your Comfy Sleeper Chair-Bed will arrive in the carton with the backrest resting on the seating surface



2. Lock 2 x braking castors at the rear of the chair



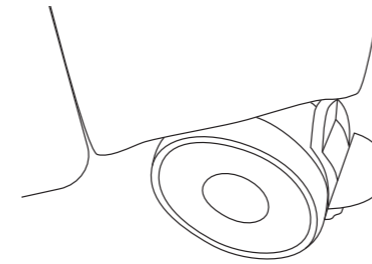
3. Mount the backrest onto the frame by locating the 2 x rear black locking brackets onto the receiver arms. Push all the way down until a notable 'click' is heard



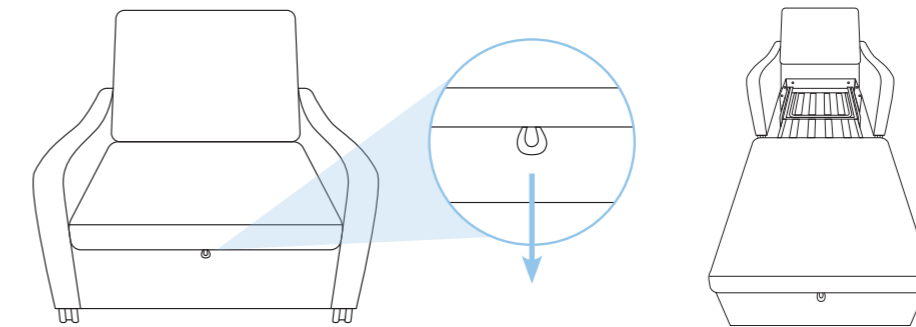
*The image shows brackets facing forward. This is for illustration only. The brackets should face the rear of the chair when mounting

TO ENGAGE THE BED POSITION

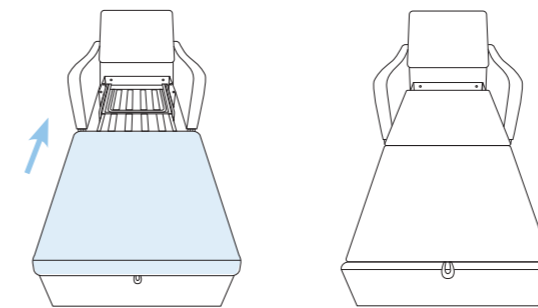
1. Lock 2 x braking castors at the rear of the chair



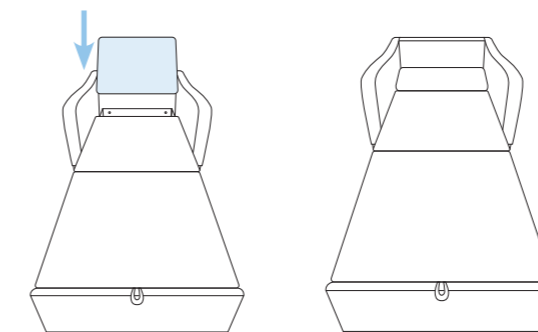
2. Locate pull tab handle and pull away from the chair to extend sleeping platform. Pull all the way out until a notable 'click' is heard



3. Pull back the soft padded section back towards chair to create a full sleeping surface



4. Push back cushion down towards sleeping surface to engage the pillow. Chair is now ready for sleeping



5. To return to chair mode, reverse steps 1-4

AIDACARE PTY LTD

Building 3A, 1 Moorebank Avenue,
Moorebank NSW 2170 Australia

1300 133 120 | aidacare.com.au

MADE IN PRC

ASUM104.5 080224

