

WIN  CARE

# MANGAR

# RHINO LIFTING CUSHION

USER INSTRUCTIONS



Exclusively distributed by

 **aidacare**  
HEALTHCARE EQUIPMENT

## Table of Contents

Intended Use .....	2
Warnings .....	3
Standard Product Contents .....	4
Connecting the Airflo Duo.....	4
Connecting the straps.....	4
Switching the Airflo DUO ‘On’ & ‘Off’ .....	5
Positioning the patient on the Rhino .....	5
Operating .....	6
Emergency deflation for CPR.....	7
Moving the Rhino.....	7
After Use .....	8
Routine Cleaning .....	8
Disinfecting .....	8
Maintenance .....	8
Transportation/Storage .....	9
Disposal/Recycling .....	9
Troubleshooting .....	9
Specifications .....	10
Warranty .....	10
Declaration of Conformity .....	11

## Intended Use

The Mangar Rhino Lifting Cushion by WinnCare, is an inflatable lifting device which is designed solely for use as an aid for healthcare workers to lift a person in the supine position from the floor. When inflated, the Rhino lifts the patient to the height of a bed or stretcher.

The Rhino is powered by a Mangar Duo Compressor.



PLEASE REFER TO THE SEPARATE AIRFLO DUO COMPRESSOR AND MANGAR SWIFT (IF USING) INSTRUCTIONS BEFORE OPERATING.



Ensure that you read and understand this instruction manual before using this product. Failure to follow the instructions and safety precautions in this manual can result in damage and/or serious injury.



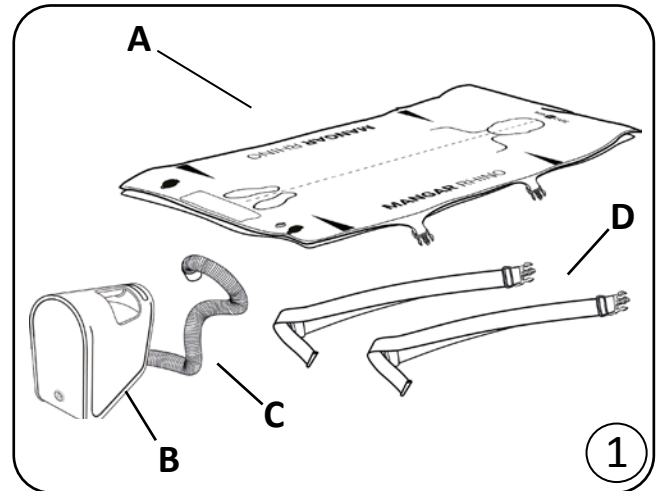
**Please keep these instructions in a safe location for future reference**

## WARNINGS

- This equipment **MUST** only be used by persons trained and competent in its use who can assess dynamic loads.
- The medical state of a person needing to be raised **MUST** be assessed before commencing a lift to ensure it is medically appropriate to perform the lift.
- An individual risk assessment should always be performed for each patient before use.
- Ensure that the surface on which the Rhino is to be placed is free from sharp objects. **NOTE:** Place a blanket, groundsheet, towel or similar under the Rhino if using it on a rough surface.
- If a slide sheet has been used to transfer the patient onto the Rhino it must be removed from under the patient before commencing a lift.
- The 4 sections **MUST** always be fully inflated in sequence from the bottom up, in order to maintain stability. Always deflate the sections from top to bottom whilst in use.
- Never leave a patient unattended on the Mangar Rhino Lifting Cushion whilst it is inflated.
- The Mangar Rhino Lifting Cushion must only be inflated using the Mangar Airflo Duo. Do not attempt to inflate with other air supplies.
- Always ensure the patient is centered on the Mangar Rhino before and during inflation using the white markings and safety straps as guidance.
- Ensure the Mangar Rhino Lifting Cushion is the correct way up before inflation, with the white markings showing on the top layer facing upwards and the inflation valves showing 1 at the bottom (closest to the ground) and 4 at the top (furthest from the ground).
- If using the Rhino with the Swift Transfer Slide, always ensure safety straps are disconnected from the Swift once the lateral transfer is complete, and reconnected to the Rhino before performing a lift.

## Standard Product Contents - fig. ①

- 1 x Rhino Lifting Cushion (A) with user instructions
- 1 x Airflo Duo Compressor (B) with user instructions
- 1 x Hose for Airflo Duo (C)
- 2 x Safety Straps (D)



## Positioning the patient on the Rhino - fig. ②

- Position the Rhino at the side of the patient so that the patient's shoulders are level with the top arrows (A). **NOTE:** Place a blanket, groundsheet, towel or similar under the Rhino if using it on a rough surface.

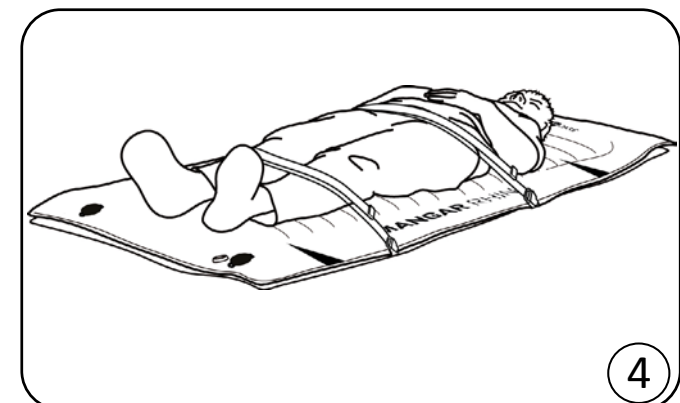
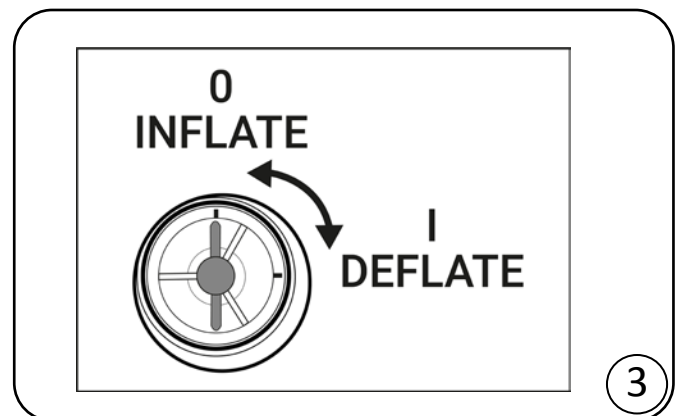
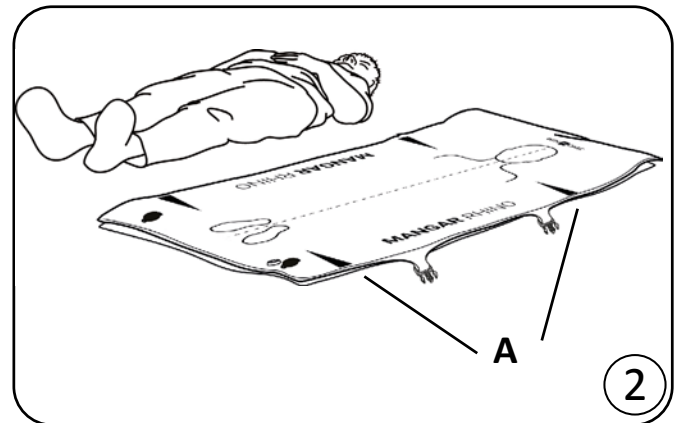
**Note:** Before inflating the Rhino, check that all valves are in the INFLATE position. (fig.3) Valves can be switched between INFLATE and DEFLATE by pushing the grip inwards and twisting.

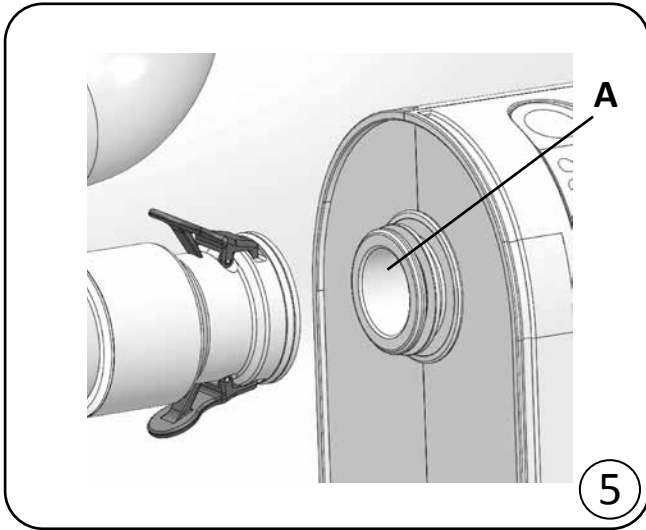
- Transfer the patient onto the Rhino. This can be achieved by first transferring the patient onto the Mangar Swift, and then performing a lateral transfer onto the Rhino.

**WARNING:** Always refer to the separate Mangar Swift User Instructions before operating .

- Before inflation of the Mangar Rhino, ensure the patient is lying centrally on the Rhino, and then secure the safety straps across the patient (fig.4), ensuring each side is connected to the connectors on the Rhino Lifting Cushion.

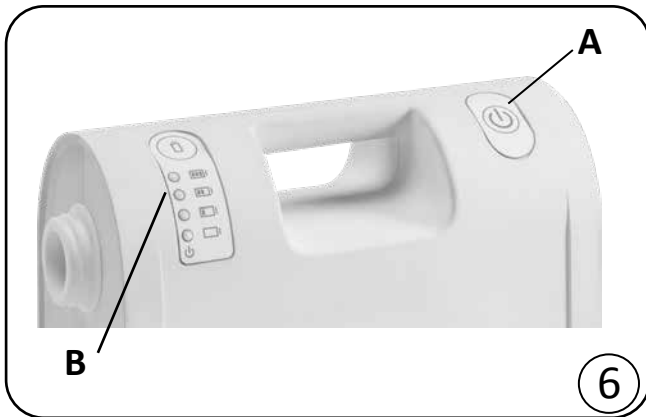
**WARNING:** The safety straps will become tighter across the patient as the Rhino is inflated, so do not tighten fully before performing the lift. Always check throughout the lift that the straps are not becoming too tight around the patient.





## Connecting the Airflo Duo - fig. ⑤

- Connect the hose to the Airflo Duo compressor. (A)
- Place the Rhino lifting cushion so it is flat on the ground with the patient outline facing upwards and the numbered valves starting with number 1 at the bottom. Ensure the air valves are facing towards the foot end of the patient.
- Position the Airflo Duo compressor so that it will not be in the way while positioning the patient.
- The Airflo Duo can be used with either mains power or battery power. The pump will automatically switch between mains or battery power.



## Switching the Airflo Duo 'On' & 'Off' - fig. ⑥

- To switch on, press the 'Power' button (A fig.6). The battery state indicator (B fig.6) will show the battery capacity at the start of operation.
- To switch off, press and hold the 'Power' button for 2 seconds. The indicator lights will go out.

## Operating

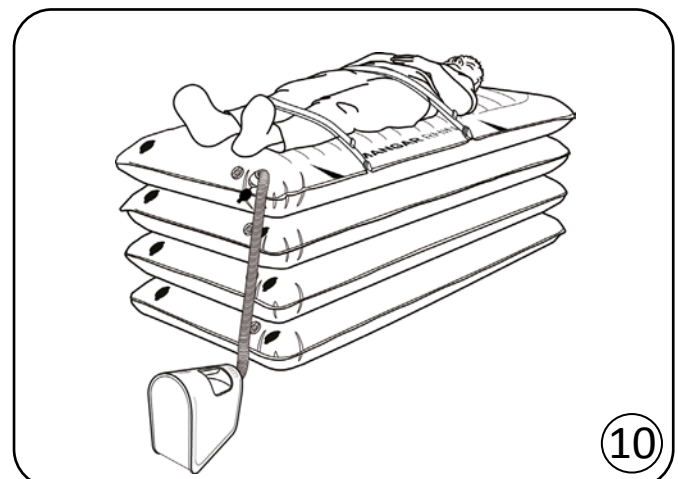
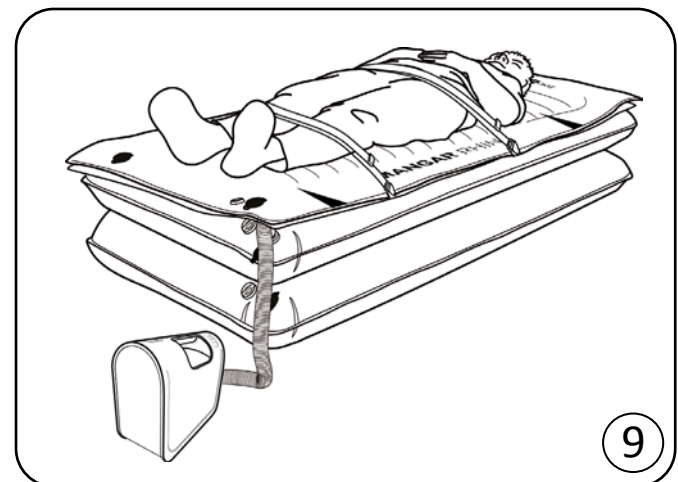
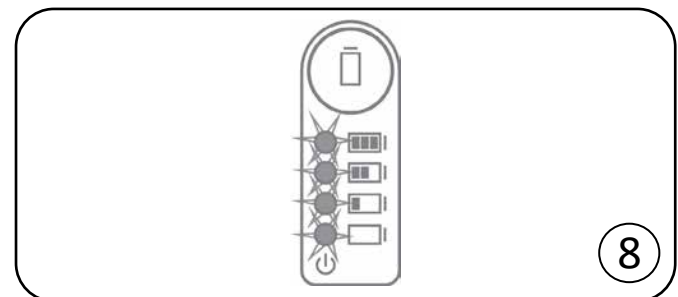
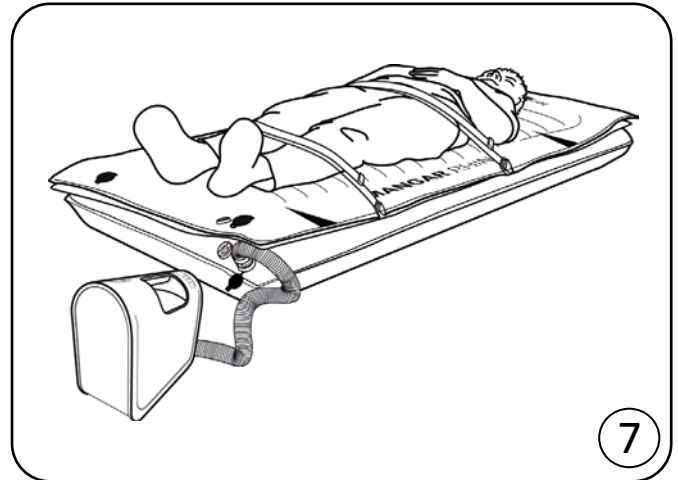
**Note:** Always ensure all straps on the Rhino are not caught under any objects before performing the lift.

**WARNING:** If a slide sheet has been used to transfer the patient onto the Rhino it must be removed from under the patient before commencing a lift.

- Switch the Airflo Duo to 'On'. Connect the hose to the valve on the bottom section numbered 1 on the Rhino Lifting Cushion to inflate. (fig.7)
- Push the hose onto valve 1 and ensure fully connected. Once connected, the hose does not require someone holding it during inflation.
- Once the first section is fully inflated, this will be indicated by the battery indicator lights flashing green (fig.8) on the Airflo Duo display, as well as an audible change in tone.
- Then disconnect the hose from valve 1 and connect to valve 2 to inflate the second section (fig.9)
- Continue to connect the hose to valves 3 and 4 **in sequence** until inflation is complete and then disconnect the hose from the Rhino (fig.10)

**WARNING:** In order to maintain stability, sections must always be **fully** inflated from the bottom up, in sequence. Never deflate the sections out of order whilst a patient is on the Rhino.

- The patient is now in a position to transfer from the Rhino.
- If performing a transfer to a bed from the Rhino using the Swift Transfer Slide, adjust the bed to a slightly lower height than the Rhino and always check that the brakes are applied to the bed or receiving surface before performing the transfer.



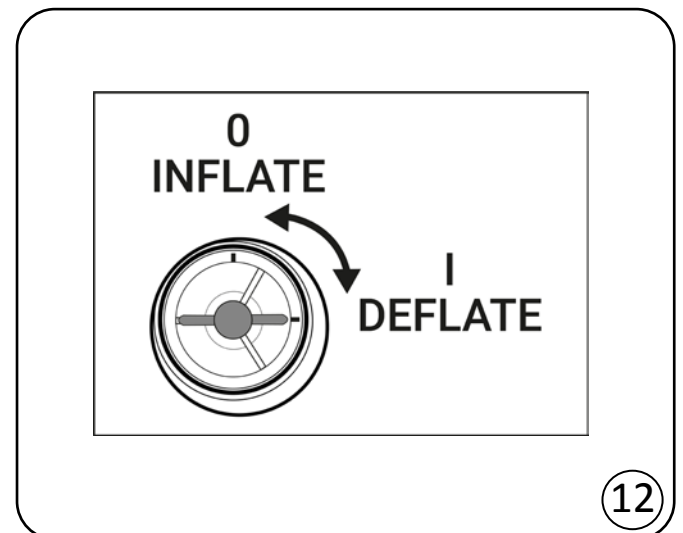
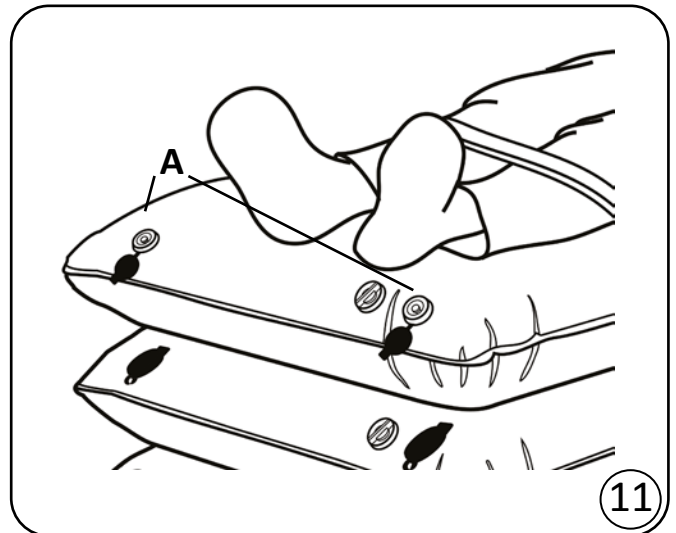
**Note:** To achieve the desired height, you may use the lifting cushion without inflating all four sections. Each inflated section must be fully inflated, and sections must never be inflated/deflated out of sequence.

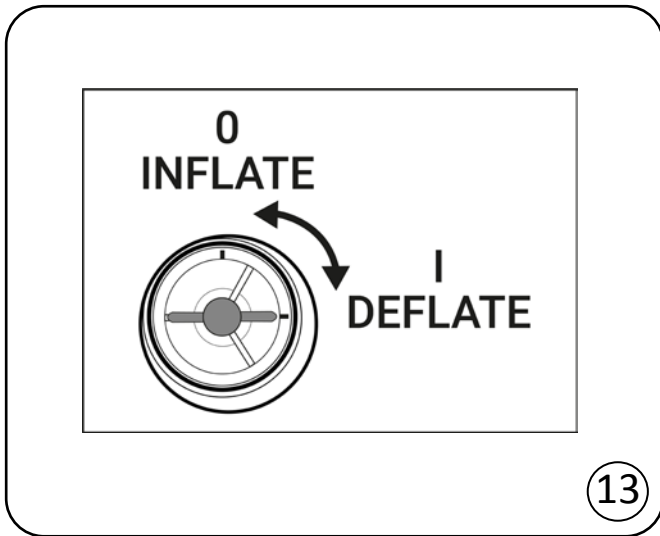
**Note:** To transfer a patient from the Rhino across to another surface, a patient transfer board should be considered based on an individual risk assessment.

### Emergency deflation for CPR:

- If a patient is on an inflated Rhino and requires CPR to be performed, the Rhino can be deflated to the required height that is suitable for the person performing CPR.
- To deflate the Rhino for CPR, always ensure you deflate the sections in order, from top to bottom to maintain stability.
- Push and turn **both** valves at the foot end of the top section (fig.11) numbered 4 to the DEFLATE position to release the air. (fig.12)
- If height is still unsuitable, push and turn both valves at the foot end of section 3 to release air. Continue with remaining two sections in sequence if required.

**Note:** After emergency deflation, if re-inflation is required to lift patient, remember to turn valves to the INFLATE position before connecting the pump. Open valves will prevent full inflation of the sections.





## After Use

- To deflate once the device is no longer in use, open all valves on sections 1-4 by pushing in valve and twisting clockwise to the DEFLATE position. (fig.13)

**Note:** While the Rhino is deflating, the user may start to roll up the Rhino to assist deflation, however this is not necessary as the product will deflate unassisted.

- To pack away, fold up the Rhino beginning with the head-end of the product. Ensure valves are turned to the INFLATE position and caps are replaced after use.

## Routine Cleaning

**Note:** Always wipe clean any dirt or spills as soon as they occur.

To clean, fully inflate all sections of the Rhino, sponge clean with a non abrasive proprietary liquid cleaner or disinfectant. Clinell Universal wipes or similar can be used. Dry thoroughly. **Do not dry using hot air.**

## Disinfecting

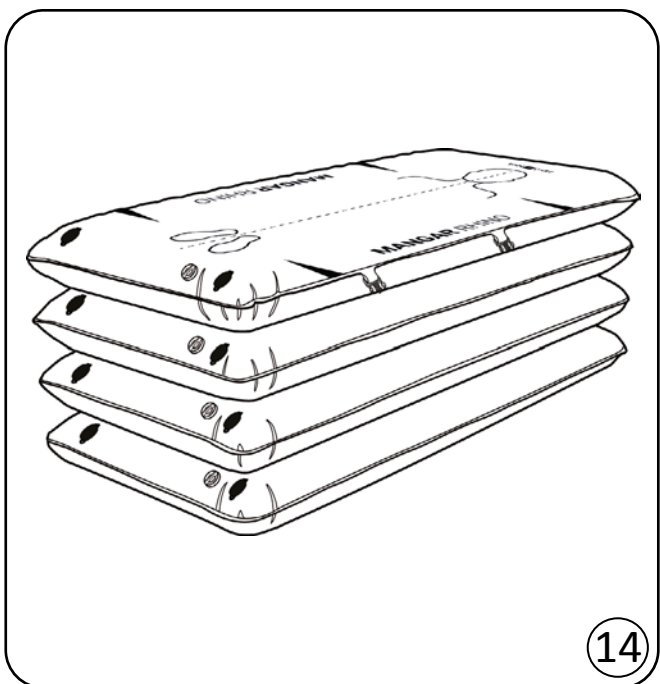
The Rhino should be fully inflated and pre-cleaned by washing with detergent and water, thoroughly rinsed and then disinfected using a 1:10 solution of household liquid bleach and water (1 part bleach to 10 parts cold water). Leave the solution on the Rhino for approximately 10 minutes before thoroughly rinsing off with clean cold water. Allow to air dry before storage. **Do not dry using hot air.**

## Maintenance

Other than routine cleaning, the Rhino is maintenance free.

WinnCare recommends that your Rhino is inspected annually by either your supplier or other suitably qualified person.

For further information contact Aidacare on 1300 133 120 or email [sales@aidacare.com.au](mailto:sales@aidacare.com.au).





## **Transportation / Storage**

Disconnect the Airflo Duo compressor from the Rhino before transporting so as to avoid accidental inflation of the cushion.

Ensure that the Rhino is clean and thoroughly dry before storing to prevent product damage. Store in a dry environment.

Winncare recommends you ensure the Airflo Duo is fully charged before storing. To maintain the Airflo Duo battery when being stored for long periods, ensure it is fully charged every 3 months.

## **Disposal / Recycling**

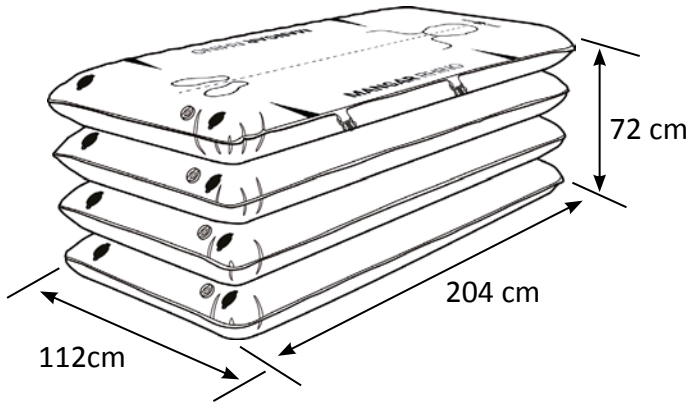
When the Rhino has reached the end of its working life, dispose of it using your organisation's recycling/disposal system.

When the Airflo Duo has reached the end of its working life, remove the battery for safe disposal and dispose of the Airflo Duo using your organisation's recycling/disposal system.

## **Troubleshooting**

For assistance with resolving a problem or for further information, contact Aidacare on 1300 133 120 or email [sales@aidacare.com.au](mailto:sales@aidacare.com.au).

## Specifications



Maximum user weight:	500kg (78 stone)*
Inflated height (approx):	72cm (28")
Overall length (approx):	204cm (80")
Overall width (approx):	112cm (44")
Weight:	7.5kg (16.5lbs)
Maximum air pressure:	0.14bar (2psi)
Max / Min temperature:	+45°C / 5°C
Inflation time:	2-3mins (dependent on user weight)
Material:	Polyurethane coated nylon fabric with anti-rip and antimicrobial properties

\*Product has been tested up to 500kg, but an individual risk assessment should always be performed for each patient.

## Warranty

The warranty is given against defects in material and workmanship and comprises piece, parts and labour. The warranty is not valid in the case of fair wear and tear, wilful damage, common neglect, misuse or unauthorised alteration or repair by unqualified persons.

The following statements do not affect the consumer's statutory rights. This product is sold on the understanding that in the event of any defect of manufacture or material appearing within the warranty period, the defect will be rectified free of charge providing that:

- (a) Reasonable evidence is provided (e.g. purchase invoice, delivery note) that the claim is being made within the warranty period.
- (b) The defect is not attributable to accidental damage (either in transit or otherwise), misuse or unauthorised repair.

Rhino serial number:	.....
Airflo Duo serial number:	.....
Date of purchase:	.....
Invoice/Delivery note number:	.....

Mangar International Ltd, trading as WinnCare, reserves the right to alter product specifications and/or any of the information contained within this document without notice.

## Declaration of Conformity

Mangar International as manufacturer hereby declares that the following products conform to the:

- Applicable provisions of Regulation (EU) 2017/745 of the European Parliament and of the Council of 5 April 2017
- UK Medical Devices Regulations 2002

and following standards:

BS EN 60601-1-6:2010 and A1:2015.

BS EN 60601-1:2006 and A12:2014.

BS EN 60601-1-11:2015.

BS EN 62366-1:2015.

Trade name: Airflo Duo with Rhino Lifting Cushion

Basic UDI-DI: 5020833MPCA221332PR

Product Classification: ISO 9999:2016, 12 36 18 Assistive products for lifting persons

Classification: MDR Class 1

European Authorised Representative: Winnicare France, 4, Le Pas du Château, 85670 Saint-Paul-Mont-Penit – France, Tél : +33 (0)2 51 98 55 64, [www.winnicare.fr](http://www.winnicare.fr)

21.09.2022

Place and Date



Simon Claridge, CEO



Exclusively distributed by



1300 133 120 | [aidacare.com.au](http://aidacare.com.au)  
[sales@aidacare.com.au](mailto:sales@aidacare.com.au)

---



EC	REP	<p>WINNCARE France 4, Le Pas du Château - 85670 Saint-Paul-Mont- Penit - France Tél : +33 (0)2 51 98 55 64 <a href="http://www.winncare.fr">www.winncare.fr</a></p>
----	-----	---

