

LIFTER LEG PROTECTION STRIPS

QUICK ASSEMBLY GUIDE

ITEM NUMBER	SUITABLE FOR
GSP390815	Aspire A205, A200S & 200S Lifters
GSP390816	Aspire 200 Lifter
GSP390817	Aspire A320 Lifter

FITTING INSTRUCTIONS

Before applying the protector strips:

1. Clean lifter legs using a solution of mild soap and water.
2. Dry lifter legs.
3. Wipe legs with provided alcohol wipe or methylated spirits.

For best results, spray the lifter leg on all sides with soapy water and leave wet. This will assist with pushing out air bubbles during application.

- A** To apply the protector, peel off the backing paper and carefully apply strip to top surface of leg. Make sure to centre the strip along the top surface and align the strip to the front of the leg.

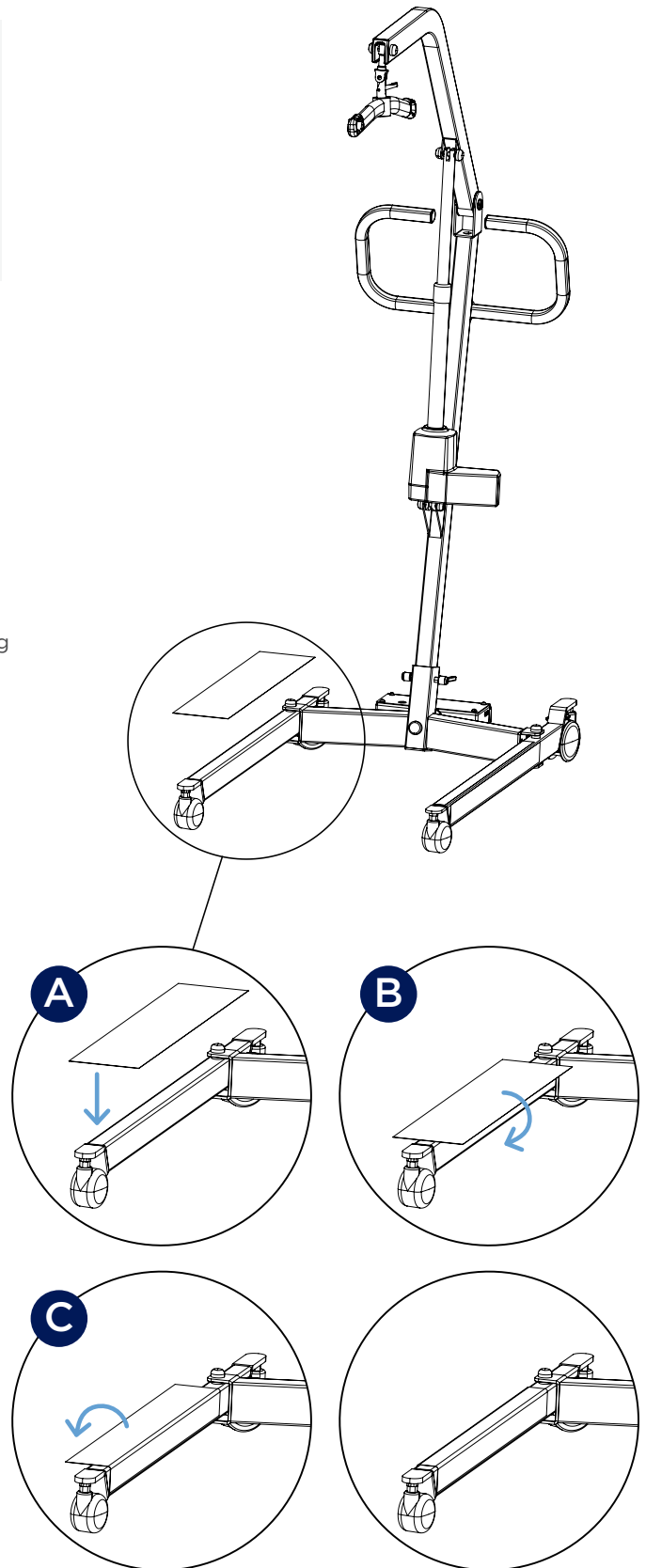
Remove air bubbles by pushing them to the edges of the strip using a credit card or other hard plastic card. Apply pressure if needed.

- B** Carefully fold one end of the strip downwards to cover the side of the leg. Use a plastic card to push out any air bubbles especially on the corners of the leg tube.

- C** Carefully fold the other end of the strip downwards to protect the third side of the leg. Use a plastic card to push out any air bubbles especially on the corners of the leg tube.

- D** Dry the lifter of any excess water.

- E** Repeat steps for the second leg.



ABUM16.1 271021