

NuboMed

CLEAN  
SIMPLE  
SMART

# Medical Cart E30X0



# User Manual

Release date: 2025-12-20

## Important Notice

Thank you for using the E30X0 ultra-light mobile ward round vehicle produced by Shenzhen NuboMed Technology Co., Ltd!

Before using this product, please read this manual carefully and pay special attention to the safety instructions.

This manual provides instructions for the use of the E30X0 ultra-light mobile examination vehicle. Please follow the instructions in this manual for the use, maintenance, and care of the equipment. Equipment repairs can only be carried out by Shenzhen NuboMed Technology Co., Ltd. or its authorized service personnel.

Due to continuous product updates, Shenzhen NuboMed Technology Co., Ltd. reserves the right to change technical specifications without notice.

If you feel that there is any aspect of our equipment that needs improvement, or if you have any comments or suggestions regarding our products, please feel free to bring them to our attention. We will address your inquiries with the utmost sincerity and resolve your issues as swiftly as possible.

Shenzhen NuboMed Technology Co., Ltd

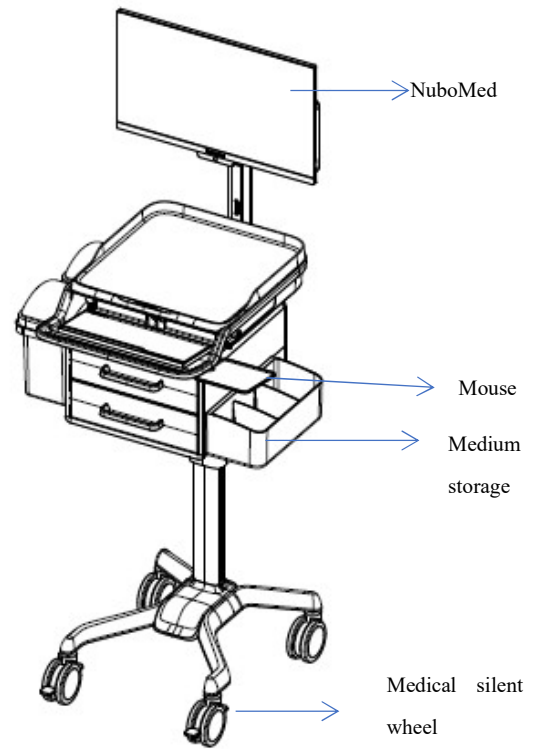
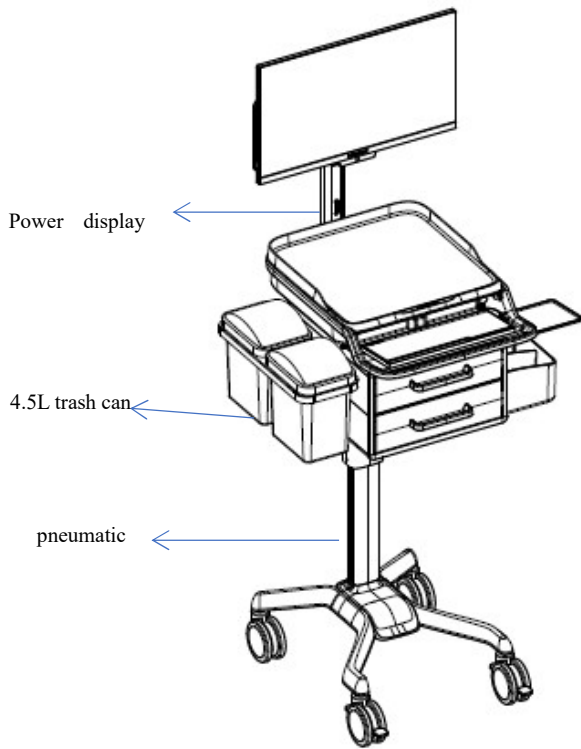
## 1 Introduction to E30X0 Smart Mobile Workstation

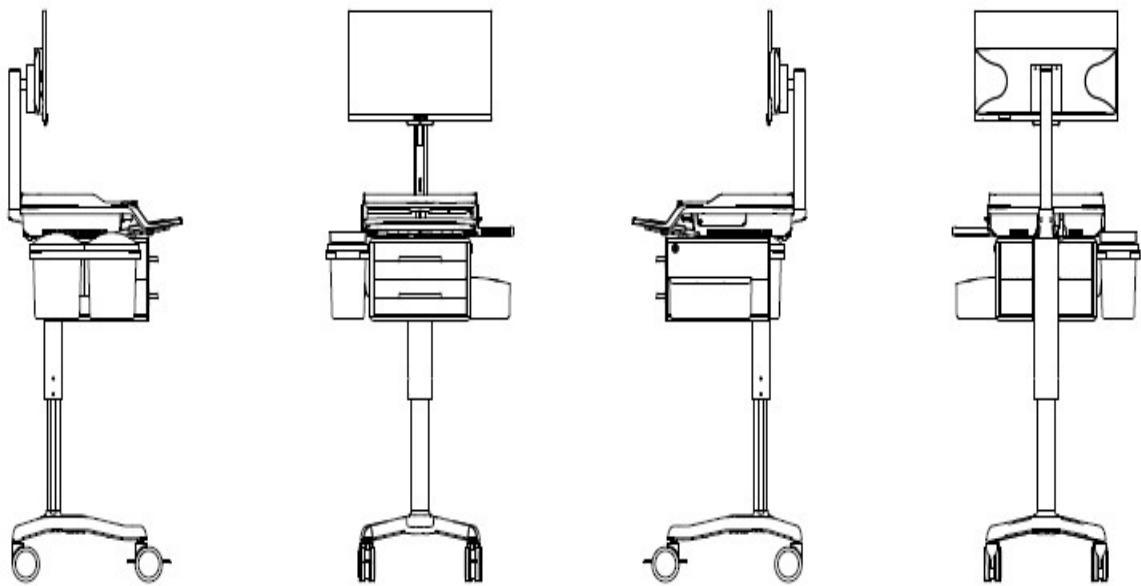
The NuboMed Mobile Workstation E30X0 is specifically designed for mobile work by medical staff, integrating highly integrated all-in-one machines, wireless communication, intelligent power management, and mobile management technology. It is suitable for various clinical work environments: whether it's outpatient clinics, emergency departments, operating rooms, ICUs, or wards, it helps clinical healthcare workers perform tasks such as mobile ward rounds, mobile nursing, mobile monitoring, and bedside testing and monitoring. The E30X0 is customized for the nursing community, equipped with two drawers, and can be mounted or hung with commonly used nursing accessories: a 4.5L trash can, a multi-purpose storage box, a small storage box, etc., making it convenient for nurses to perform bedside nursing.

## 2 Product parameters of E30X0 intelligent mobile workstation

### 1 VEHICLE BODY STRUCTURE

---





### 3 User Manual for E30X0 Ultra-Light Mobile Ward Rounds Vehicle

#### 1 POWER-ON/OFF INSTRUCTIONS

---



**Power On/Off:** The "o" power button is located on the right side of the tabletop.

**Power on:** Long press the power button for 2 seconds to automatically turn on the system (power system, NuboMed Smart All-in-One), and the power indicator light on the smart panel will light up;

**Power Off:** Long press the power button for 2 seconds while the device is turned on to shut down the system (power system, NuboMed Smart All-in-One device). The power indicator light on the smart panel will turn off;

After the computer system shuts down the host, the system (power system, NuboMed Smart All-in-One) automatically shuts down.

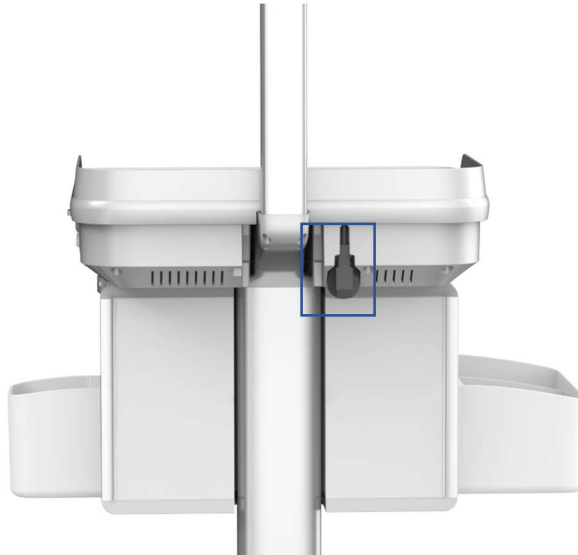
## 2 CHARGING INSTRUCTIONS

---

**Charging:** Simply plug the charging cable into the charging port and connect it to the mains power supply to start charging.

## 3 POWER CORD INSTRUCTIONS

---



**Power cord:** The power cord features a spring design, accommodating charging at various distances.

## 4 DESCRIPTION OF INTELLIGENT CONTROL PANEL

---



The battery level display panel is located on the monitor arm

Divided into 5-bar battery level display

When fully charged, it has 5 bars, and the bars decrease in sequence

## 5 INSTRUCTIONS FOR MONITOR ADJUSTMENT

---



**Up and down adjustment:** Press lightly on the top of the monitor to lower its height

Gently lift the bottom of the monitor to increase its height

**90° landscape/portrait screen conversion:** rotate the monitor left and right

**Tilt back and forth:** tilt up: lift the monitor

Down tilt: After a slight upward lift, press down on the monitor

## 6 INSTRUCTIONS FOR USING THE KEYBOARD TRAY

---



The keyboard tray and tabletop handle are integrally molded (can be used directly without sliding)

The upper part of the keyboard tray is equipped with a human body sensor-operated LED lighting module, ensuring barrier-free operation at night

## 7 DESCRIPTION OF LIFTING COLUMN

---

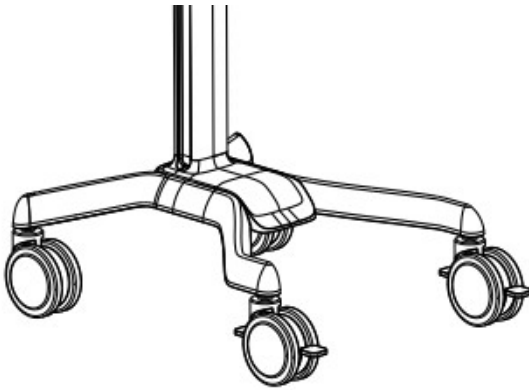


E30X0 pneumatic lifting control

**Pneumatic lifting:** Press the pneumatic lifting handle (as shown below) and slightly release it, and the tabletop will automatically rise; press the handle and slightly apply force to press the tabletop down, and the tabletop will automatically lower

## 8 BRAKE INSTRUCTIONS

---



The two front wheels of the vehicle's base are equipped with braking devices

**Fixing the vehicle body:** Press the brake device to fix the vehicle body;

**Release the fixation:** Lift the brake device to release the fixation.

## **SYSTEM ENVIRONMENT SETTING INSTRUCTIONS**

### **Notes on Windows 7/10 system deployment settings:**

Hibernation must be disabled, set to (never), power button set to (shutdown)

Enabling Quick Start on Windows 10 system needs to be set to (disabled)

### **Common shortcut keys for mobile workstations:**

**BIOS settings key:** Delete

**Shortcut key for motherboard startup options:** F11

**Be Informed:** The system sleep/hibernation function is not supported in the mobile workstation system environment

## **Safety precautions**

### **SERVICE AND REPLACEMENT INSTRUCTIONS**

Users are required to follow the user manual or instructions of the NuboMed medical cart E30X0. It is prohibited to disassemble or replace any parts of the NuboMed medical cart E30X0 without authorization from NuboMed. Only NuboMed engineers or personnel approved by NuboMed can disassemble or replace the instrument.

### **DO NOT DISASSEMBLE THE EQUIPMENT**

Please do not disassemble the vehicle without authorization. If there are any problems, please contact the after-sales service personnel for resolution.

### **ATTENTION TO POWER CORD CHARGING:**

Do not use the device power cord for other purposes or use power cords that are not included in this product

### **DO NOT OPEN THE INSIDE OF THE BATTERY**

Unauthorized personnel turning on the power may cause personal injury. If the power system is not working properly, please contact the after-sales engineer of NuboMed in a timely manner.

### **PAY ATTENTION TO WATERPROOFING**

If the NuboMed medical cart E30X0 is damp, immediately unplug the power plug, wipe off any excess liquid, and wait for it to dry thoroughly before use.

### **WHEN NOT IN USE FOR A LONG TIME**

When the cart is not used for a long time, it is recommended to charge and discharge it once a month. If the battery needs to be stored for a long time, it is best to keep the battery at half charge (50% capacity) and charge it once a month for one hour.

## Cleaning Instructions

- Please clean the Intelligent Management System using mild cleaning agents. Do not use corrosive cleaners, solvents, wax, paraffin or steam to clean the product.
- Test the suitability of the cleaning agent: users can perform tests in a well-ventilated area by reducing exposure time and using a reduced amount of cleaning agent (as recommended by the supplier) to minimize damage to the workstation surface.
- If there is localized contamination from substances such as iodine, coffee, mustard, curry or red wine, it must be promptly and thoroughly cleaned.

## Service Commitment

Our company has established a comprehensive and stringent quality control system, ensuring the product quality. However, as our products are advanced, complex and intelligent, errors or damages may occur if not operated according to the prescribed procedures. Therefore, we must emphasize the importance of carefully reading and understanding the manual and strictly following our operating procedures when using the equipment.

If you have any suggestions for improvement regarding the Intelligent Management System and any other product series, or if you have any feedback or suggestions about our products, please feel free to contact us. We will respond to your inquiries with utmost sincerity and resolve any issues promptly.

# NuboMed

---

**NuboMed Technology Co., Ltd.**

marketing@nubomed.com  
www.nubomed.com  
Linkedin / Youtube : NuboMed



@NuboMed